
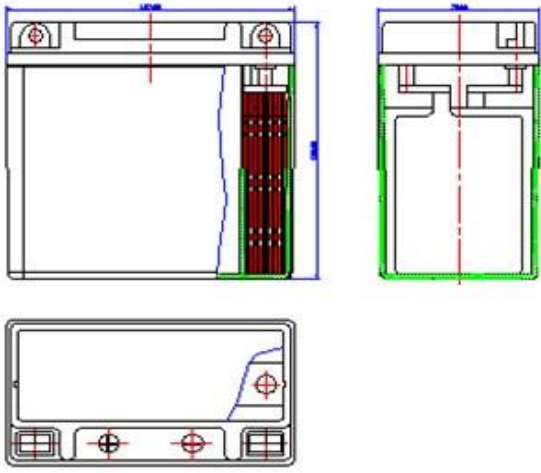
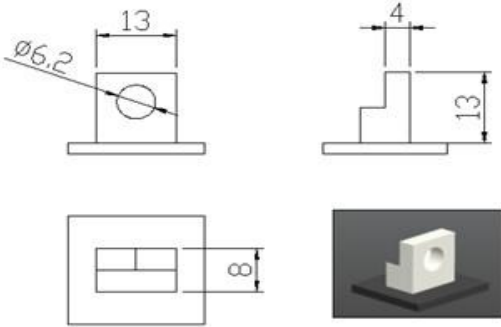
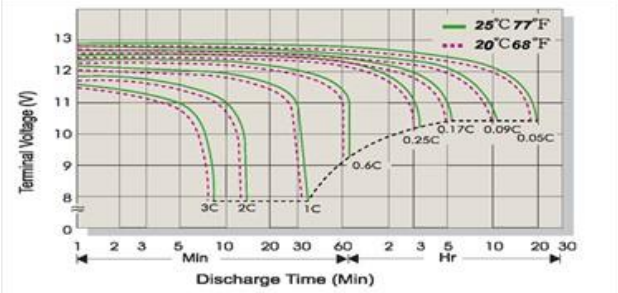


Biltema Art No.: 80265		Dimensions (mm)		
				
Terminal (mm)		Physical Specifications		
Terminal Type	B	Replace YUASA Model	12N9-4B-1	
		Dimensions	Length	137±2mm
			Width	75±2mm
			Height	138±2mm
		Weight	Battery (with acid)	Approx 3,0kg
		Container & cover material	ABS	
		Chemistry	Lead-Acid	
		Position of negative terminal	Right	
		High Performance motorcycle starter battery		
		Absorbent Glass Mat (AGM) Maintenance free Technology		
		High Cranking Amps		
Discharge Characteristics		Electrical Specifications		
		Nominal Voltage	12V	
		Nominal Capacity (10)	9,0Ah	
		Cold Cranking Amps (-18°C) EN	120A	
		Cycle life (JIS D 5302:2004)	200	
Capacity affected by temperature	40°C	104%		
	25°C	100%		
	0°C	85%		
	-15°C	68%		
Self Discharge	Approx 4% per month (25°C)			
Charging Method	Constant Voltage Charge			
	Voltage	14,7-15,0V		
	MAX. current	2,7A (0.3C10)		
	Charging time	6-10 h		